

SPECIFICATION

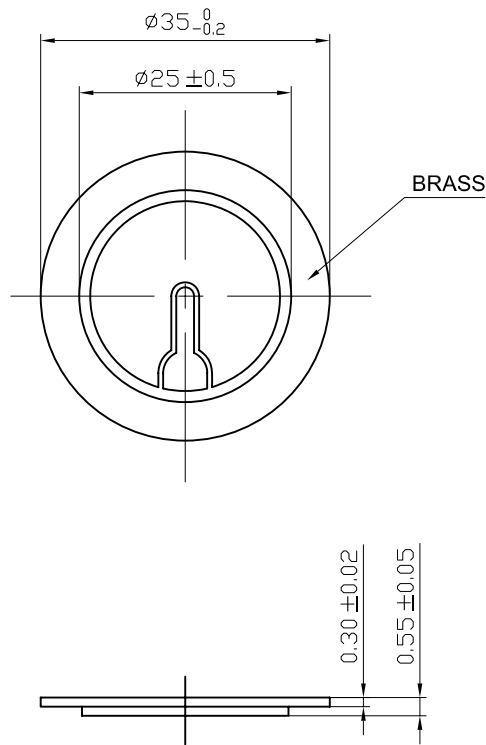
1. SCOPE

This specification is applied to the piezo-element.

2. SPECIFICATION (at 25°C)

- 2.1 Resonant Frequency : 2.9 ± 0.3 KHz
- 2.2 Resonant Resistance : 300 Ω max
- 2.3 Capacitance : 25000 pF ± 30% at 100Hz
- 2.4 Input Voltage : 30 Vp-p max
- 2.5 Operating Temperature : -20 ~ +60°C
- 2.6 Storage Temperature : -20 ~ +70°C

3. DIMENSION as per figure



TOLERANCES UNLESS NOTED OTHERWISE .X ± .XX ± .XXX ± 90° FORMED +2° ANGLES -1° FIRST ANGLE PROJECTION 	DRAWN		KEPO MODEL NO.	CUSTOMER			
	DESIGN		MFT-35T-2.9B1	CUSTOMER NO.			
	CHECKED						
	APPROVED		DWG NO.	VER	1.0	SCALE	
	DATE	01.09.06	KP3.840.764				
	CONTRACT NO.			KEPO CO., LTD. TEL: (+86)574-88370330 FAX: (+86)574-88370329			
	AGENCY APPROVAL						